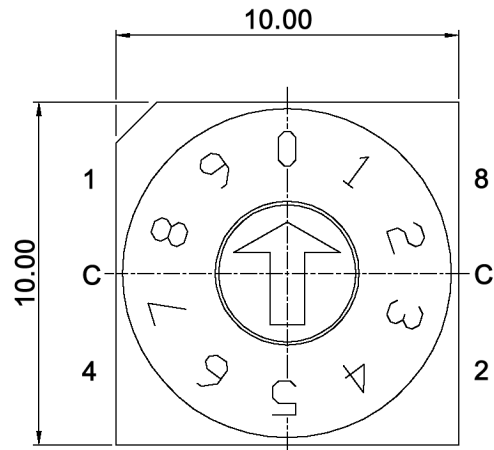
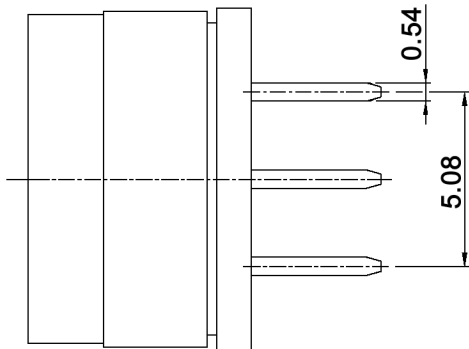
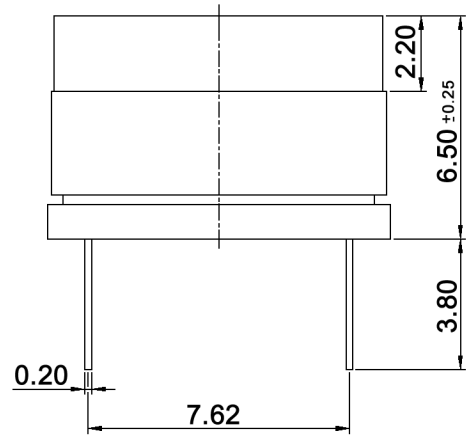
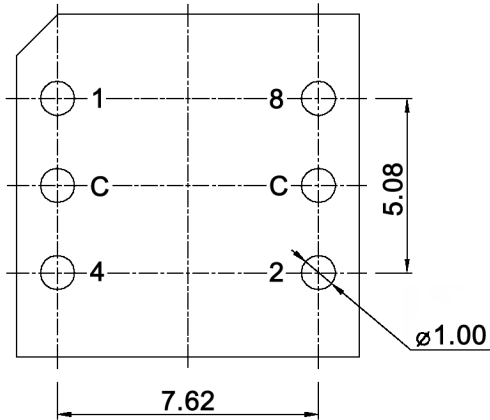


P.C.B. DIMENSION



Specifications:

- Contact rating:** switching: 150mA, 42V DC  
 non-switching: 200mA, 42V DC  
**Contact resistance:** 80mOhm max.  
**Insulation resistance:** 100MOhm min.  
**Mechanical life:** 10 000 cycles  
**Operating force:** 700gf max.  
**Operating temperature:** -40°C to +85°C  
**Storage temperature:** -40°C to +85°C  
**Soldering conditions:** pre-heat: max. 120°C, max. 70sec.  
 wave soldering: max. 260°C, max. 10sec.  
**IP rating:** IP67  
**Material:** Cover: PA66, white  
 O-ring: silicone, black  
 Actuator: POM, ivory  
 PCB: Epoxy  
 Base: PA66, black  
 Contact / terminal: phosphor bronze, min. 0.07µm gold plated  
 over min. 0.1µm nickel

BCD inverse

		Complement coded				
		C	1	2	4	8
10 P o s i t i o n s	0	●	●	●	●	●
	1	●		●	●	●
	2	●	●		●	●
	3	●			●	●
	4	●	●	●		●
	5	●		●		●
	6	●	●			●
	7	●				●
	8	●	●	●	●	
	9	●		●	●	

Compliance: RohS III (2015/863/EU)

Tolerances:		Date	Name	<h1>DRS 60110</h1>
		02/08	dr	
Material	02/21	dr		<h1>30 13 83</h1>
Soldering conditions	01/11	dr		
IP rating	07/09	dr		
Operating temperature	11/08	dr		
Modifications	Date	Name		
			<b>knitter-switch</b>	Page 1/1